



A1800w Heavy Duty Robot Palletizer

Ultra High Loading Capacity

High Speed

Wide Operation Range

Low Noise Level

Energy Efficient

Environmentally Friendly

A1800w Robot Palletizer

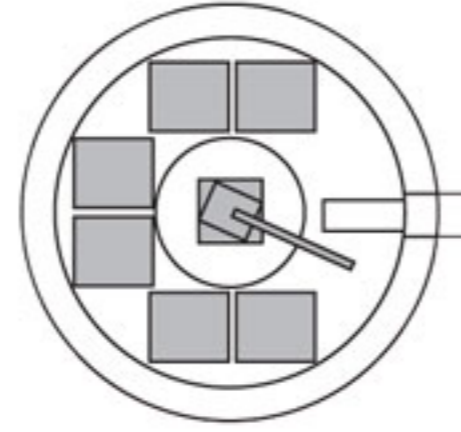


Heavy Loads At High Speed

The rigidity of the robot arm was improved with the latest technology. As a result, a maximum load capacity of **350kg** can be achieved.

Palletizing to Max of 6 Pallets

With up to **360°** of movement on its rotational axis, a single A1800W can palletize to a maximum of **6 pallets**.



Safety

The A1800W includes the new "Collision Detection" feature. Sensors on the robot arm detect minor impacts on the end effector & stop the system immediately. It enhances the safety aspects of the robot palletizer system immensely.

Energy Saving & Low Noise Design

A self-developed control mechanism is utilized to attain higher power & speed, while maintaining the same level of power consumption.

Environmentally Friendly

Our robot's components comply to stringent environmental standards & are environmentally friendly.

Robot Controller - Improved Safety & User Friendliness



Touch Screen

A large & full colour LCD touch panel enables easy operation.

Compact

Our servo amp (self developed) is compact & consumes minimal energy.

Real Time Monitoring

The control panel can be connected to any Local Area Network (LAN) for monitoring of the robot status in real time (optional).

Teaching Flexibility

Our application software "OXPA-Qm2" is easy & fast to use to create palletizing programs for a wide range of products.

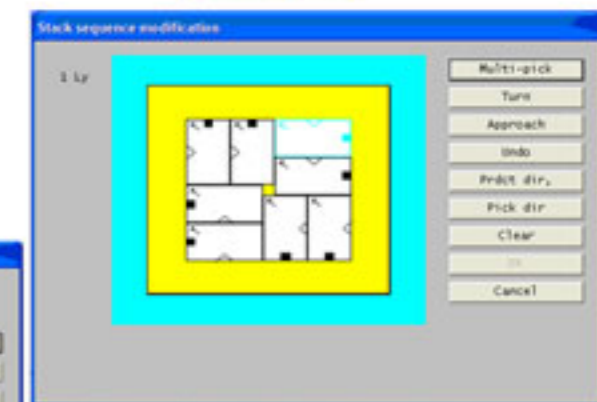
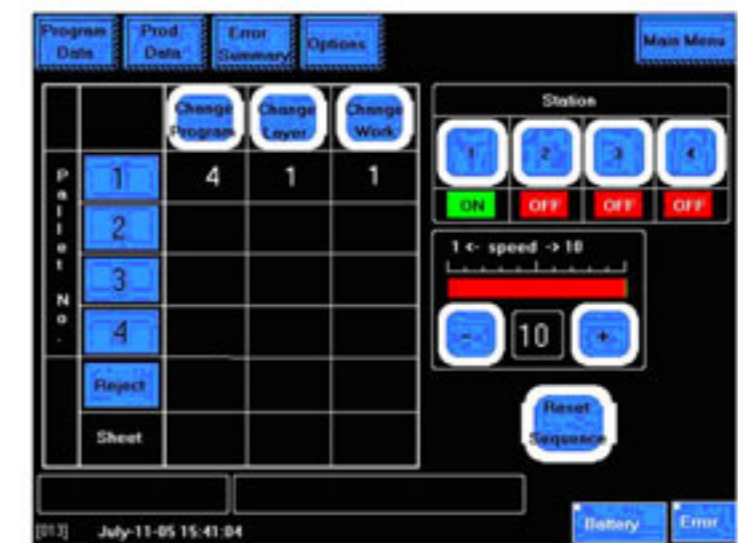
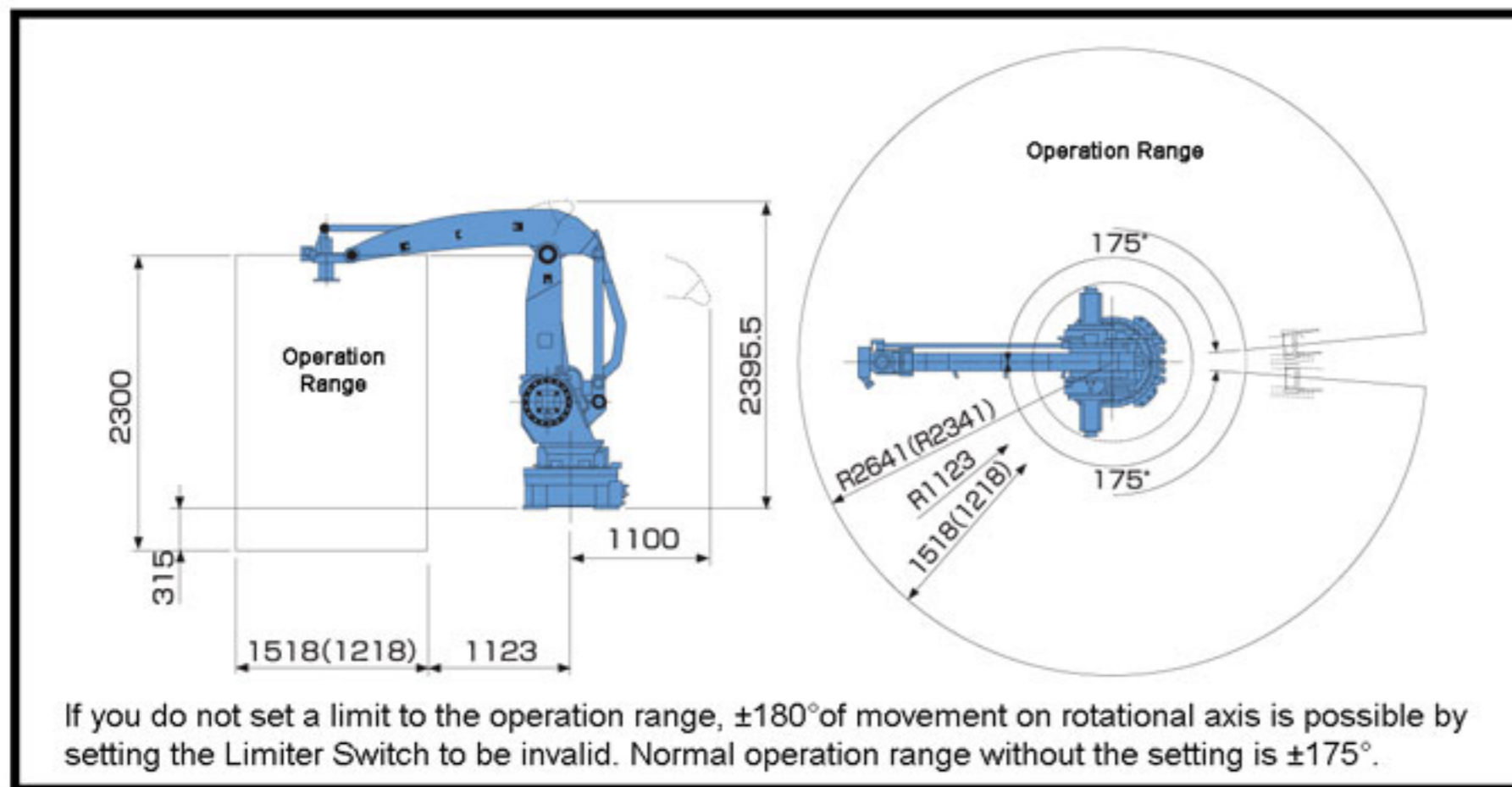


Image shown is JIS version. CE version of the control panel is also available.

Robot Dimensions



Design & specifications of the product are subject to change without notice.

Robot Specifications

Load Capacity	350 Kg (Includes weight of end effector)
Operation Range	4 axes (R, O, D, T axes) R axes 360° D axes 2300 mm O axes 1518 mm T axes 440°
Palletizing Rate	500 cycles/hour Max*
Accuracy	Repeated stop position accuracy ± 1 mm
Robot Weight	1300 Kg
Pneumatic Consumption	180 ℓ /min (ANR)
Ambient Temperature	0-40°C
Relative Humidity	35-85%
Power	AC200V (Triple-phase) $\pm 5\%$ 6.5kVA + Peripheral Conveyors

*Above handling rate is based on standard end effectors. Handling rate varies, depending on layout, multi-gripping & other conditions.

Japan

Okura Yusoki Co. Ltd
900 Furuouchi Noguchi-cho Kakogawa Hyogo Japan 675-8675
Tel: +81 794 26 1009 Fax: +81 794 26 1184
Email: admin@okurayusoki.co.jp Website: www.okurayusoki.co.jp

Singapore

Okura Flexible Automation Systems Pte Ltd (OFAS)
211 Henderson Road #08-04 Henderson Industrial Park Singapore 159552
Tel: +65 6276 1711 Fax: +65 6276 7211
Email: sales@okura-sing.com.sg Website: www.okura.com.sg

Malaysia

3A-D, Jalan USJ 10/1A, Pusat Perniagaan USJ 10,
47610 UEP Subang Jaya, Selangor Darul Ehsan, Malaysia
Tel: +60 3 8023 6381 Fax: +60 3 8023 6390
Email: okura@tm.net.my

China

Okura Flexible Automation Systems (Shanghai) Co., Ltd (OFAS)
Room 1804, Yundu Hongqiao Tower, No. 930, Zhongshan (West) Rd,
Shanghai, P.R. China, P.C. 200551
Tel: +86 21 6275 9825 Fax: +86 21 6275 9826
Email: admn@okura-sha.com.cn

Europe

Okura Yusoki Co. Ltd (Europe Representative Office)
Merwedeweg 7A 3621 LP Breukelen The Netherlands
Tel: +31 346 252 360 Fax: +31 346 261 005
Email: okura.yusoki@planet.nl